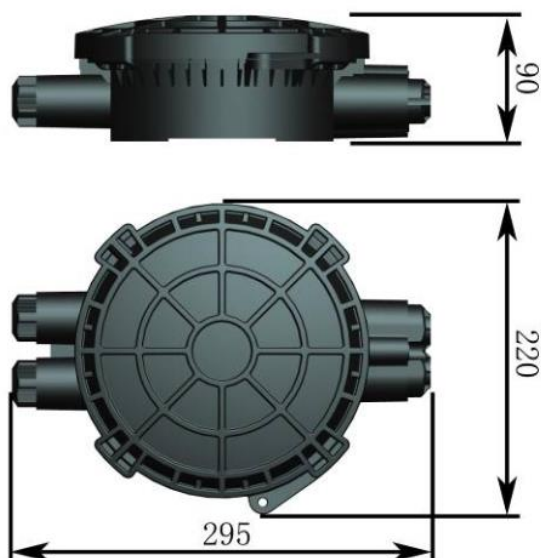


Flat fibre optic coupler CONNECTICO

MSC – P – K36

The fibre optic coupler is used to connect fibre optic cables in the field. It allows to protect fibres and splices against mechanical damage and influence of environmental conditions as well as to manage fibres in a simple way.



Optical fibre coupler MSC-P-36

features:

- capacity of up to 36 thermal welds,
- possibility to mount up to 3 cassettes, each for 12 splices,
- cable ports: 2 round and 1 oval,
- mechanical sealing of ports,
- mechanical locking system for multiple access,
- wall mounting,
- IP 68.

set for K36 completion:

- 3 splice trays, each for 12 thermal welds,
- 36 weld covers,
- 2 round port seals (single),
- 1 set for sealing oval ports,
- cable ties,
- insulation tape.

options to be ordered separately:

- sealing of circular ports:
 - 1x4 (\varnothing 5-7mm)
 - 1x8 (\varnothing 3-5mm)

sectors:



MSC – P – K36

technical specification:

MSC-P-K36	
dimensions [W x H x D] [mm]	295 x 220 x 90
max. number of cassettes	3
max. number of welds	36
number of round ports	2
number of oval ports	1
diameter of inserted cables [mm]	Ø8 – 17,5
weight [kg]	2,0 – 2,3
IP tightness degree	68
insulation resistance [MΩ]	2 x 10 ⁴
operating temperature [°C]	- 40 to + 65
material	PP + GF

ordering:

0	1	description
MSC-P-		fibre optic flat coupler MSC-P
	K36	fibre optic flat coupler MSC-P complete with 36 thermal welds